



WATER • TECHNOLOGY

### Spare parts list

Revision number

Page  
1

Company name  
Dept.  
Editor  
Phone number  
Fax no.  
E-mail

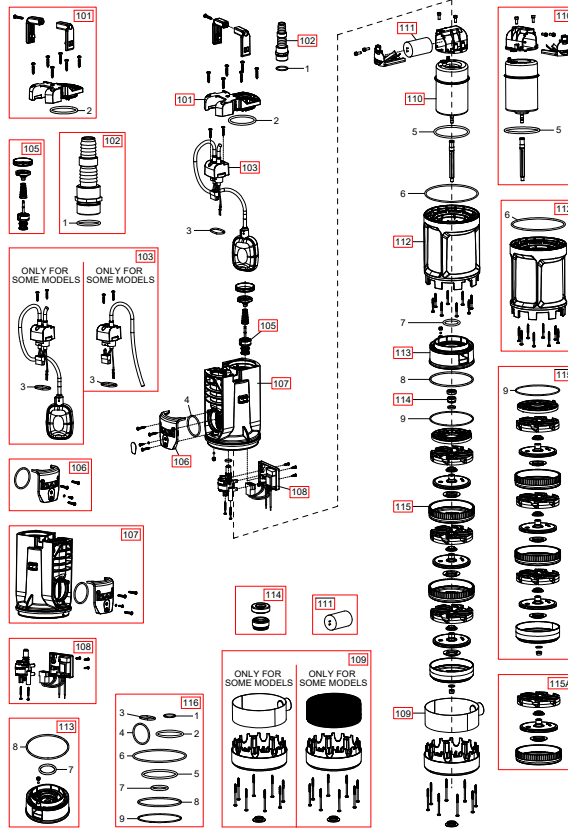
Customer

Supplier

Model - Revision @ Code\_Document version

**Attention: check the correspondence with the revision of your product**

Pos.no	Description	Item no.	Qty.	UP / EUR
DIVERTRON 900 V230/50 GAS 15m AUS - N.2.- - @ 60209486_a.j				



101	(SP) OUTLET D-EVO 1"GAS BLACK	SP00007511	1	Price on req.
102	(SP) FITTING STRAIGHT W/OR. 1X1-D25	S3600107	1	Price on req.
103	(SP) CABLE 15m H07 RN-F 3G1 AUS	SP00008026	1	Price on req.
105	(SP) VNR GROUP	SP00007446	1	Price on req.
106	(SP) CAPACITOR COVER	SP00007436	1	Price on req.
107	(SP) MOTOR COVER	SP00007444	1	Price on req.
108	(SP) PRESSURESW 2.4 BAR + PCBA DT_SBA EV MB 230V R10 POTTED	SP00007542	1	Price on req.
109	(SP) BASE D-EVO PLASTIC FILTER	SP00007449	1	Price on req.
110	(SP) MOTOR H60 V230/50-60Hz	SP00007451	1	Price on req.
111	CONDENSATORE S3 uF12.5 V400CL A W CABLES	SP00007143	1	Price on req.
112	(SP) MOTOR BODY	SP00007452	1	Price on req.
113	(SP) MECHANICAL SEAL FLANGE	SP00007442	1	Price on req.
114	(SP) SHAFT SEAL FA13-24-13B-PFF191096 RES	SP00001144	1	Price on req.
115	(SP) COMPLETE HYDRAULIC	SP00007453	1	Price on req.
115A	(SP) IMPELLER	SP00007439	3	Price on req.
116	(SP) OR/GASKETS	SP00007448	1	Price on req.

Project

Creation software

Issue date

Last update

Spaix® 5-2023.1 - 2023/12/04 (E)

2024-02-25

2024-02-25